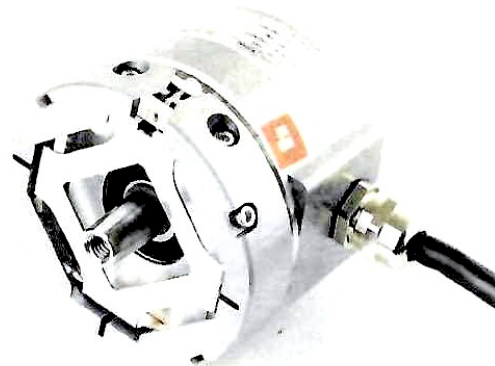


**hohner**  
AUTOMATICOS

CE

### AAA633Zx

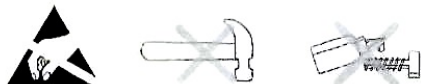
Mounting Instructions  
Instrucciones de montaje  
Montageanleitung  
Istruzioni di montaggio  
Instructions de montage



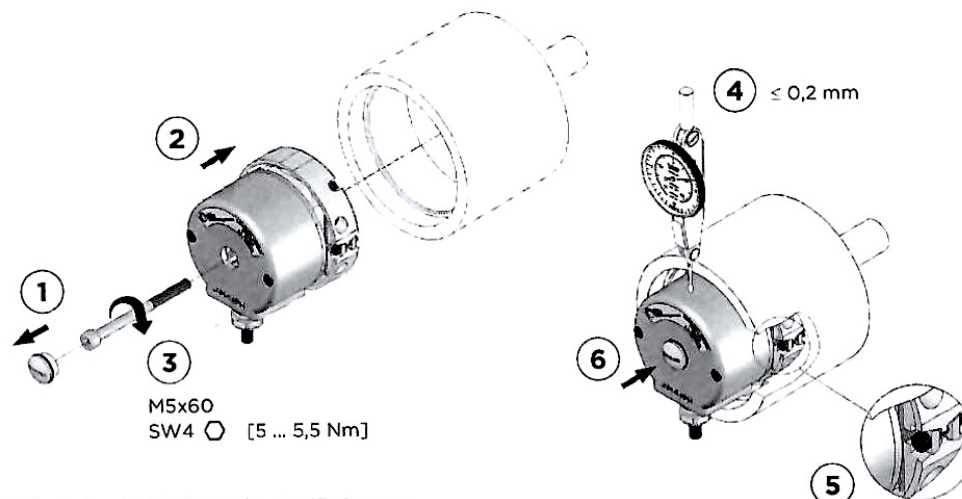
OTIS-Part: AAA633Z3  
64-101X6-3600.VN34

OTIS-Part: AAA633Z4  
64-102X2-3600.VN36

OTIS-Part: AAA633Z6  
64-101X2-3600.VN35



### Assembly / Montaje / Montage / Montaggio / Montage



**Note:** Be sure to tighten to the specified torque.  
**Atención:** Asegúrese de que el par de apriete de los tornillos sea el indicado.  
**Achtung:** Angegebene Anzugsmomente der Schrauben sicherstellen.  
**Attenzione:** Serrare con la coppia specificata.  
**Attention:** Respecter les couples de serrage indiqués pour les vis.

Included in delivery / Elementos suministrados / Im Lieferumfang enthalten /  
Standard di fornitura / Contenu dans la fourniture:



95.0004105  
M5 x 60

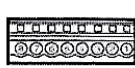
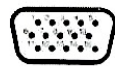


95.0004190



98.0003025 | 2 mm SW2 ◯  
98.0003045 | 4 mm SW4 ◯  
98.0003044 | 5 mm SW5 ◯

OTIS-Part: AAA633Z3  
64-101X6-3600.VN34



OTIS-Part: AAA633Z4  
64-102X2-3600.VN36

OTIS-Part: AAA633Z6  
64-101X2-3600.VN35

SIGNAL	PIN	COLORS	SIGNAL	PIN	COLORS
0V (U <sub>0</sub> )	10	BK	Ua2	6	CN
+V (U <sub>+</sub> )	15	RD	Ua2 NOT	11	BU
Ua1	3	YE	Ua0	4	GY
Ua1 NOT	9	BN	Ua0 NOT	5	OG
-	Housing	Shielding	n.c.	1, 2, 7, 8, 12, 13, 14	

SIGNAL	PIN	COLORS	SIGNAL	PIN	COLORS
0V (U <sub>0</sub> )	6	BK	Ua1	1	YE
+V (U <sub>+</sub> )	5	RD	Ua1 NOT	2	BN
Shielding	8		Ua2	3	CN
n.c.	7		Ua2 NOT	4	BU
-	Housing	Shielding	n.c.	1, 2, 7, 8, 12, 15	

SIGNAL	PIN	COLORS	SIGNAL	PIN	COLORS
0V (U <sub>0</sub> )	10, 13	BK	Ua2	6	CN
+V (U <sub>+</sub> )	14	RD	Ua2 NOT	11	BU
Ua1	3	YE	Ua0	4	GY
Ua1 NOT	9	BN	Ua0 NOT	5	OG
-	Housing	Shielding	n.c.	1, 2, 7, 8, 12, 15	

External shield on housing / Blindaje externo a carcasa / Außenschirm auf Gehäuse / Schermo esterno sulla carcassa / Blindage externe sur boîtier

### Disassembly / Desmontaje / Demontage / Smontaggio / Demontage

