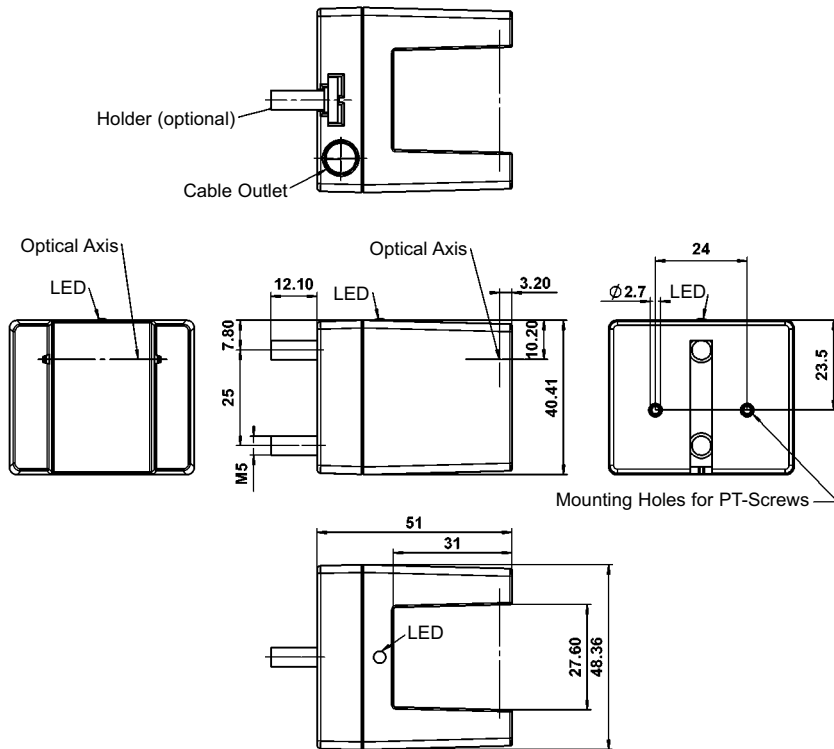


Drawings



We
CEDES AG, CH-7302 Landquart / Switzerland
 declare conformity in sole responsibility that the optoelectronic sensors
GLS 126 NT-MV
 according to the following Council Directives



EU EMC 89 / 336 / EWG
 modified 92 / 31 / EWG

Standards and Specifications

EN 12015, 12016 Electromagnetic compatibility - product family standard for elevators, escalators and passenger conveyors - emission / immunity

Test report CEDES, EMV_GLS126 NT-MV

Use:

The bringing into service is only permitted after thorough checks are carried out to ensure that the machinery or plant into which these products are built, meets the requirements of the regulations and directives relevant to that machinery or plant.

Landquart, 2006-02-28
 Peter Meier
 Quality Assurance

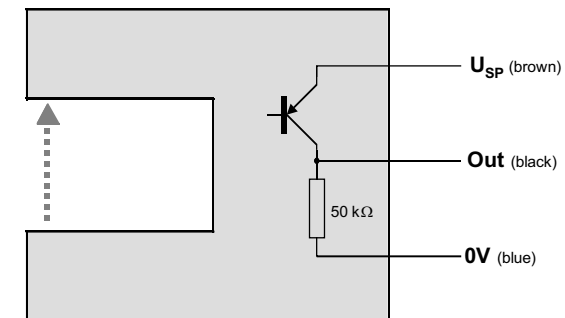
Technical Data GLS 126 NT-MV

Supply voltage (U_{SP})	12 - 60 VDC
Max. ripple voltage (U_{SP})	$\pm 0.25 \times (U_{SP})$
Current consumption	max. 30 mA (without load)
Input capacitive load	47 nF
Output saturation voltage (U_{SP}) - Light beam interrupted	< 0.5 V ($I_L = 100 \text{ mA}$)
Output	PNP short circuit proof
Capacitive load	max. 10 μF
Response time	max. 1ms
Max. output current	200 mA



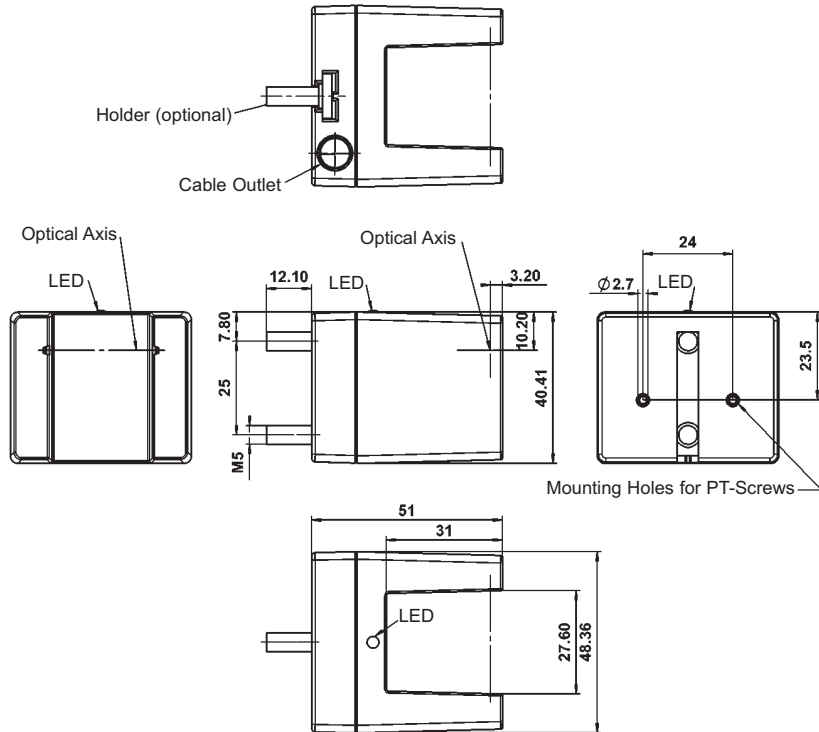
GLS 126 NT-MV housing

Block circuit diagram



Description	Light beam	Output	LED
GLS 126 NT-MV, NC	not interrupted	+ (U_{SP})	on
	interrupted	0 V	off
GLS 126 NT-MV, NO	not interrupted	0 V	on
	interrupted	+ (U_{SP})	off

Drawings



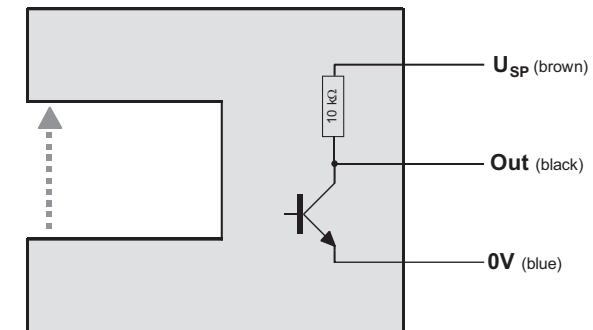
Technical Data GLS 126 NT / NC-HCL

Supply voltage (U_{SP})	10 - 30 VDC
Max. ripple voltage (U_{SP})	$\pm 0.25 \times (U_{SP})$
Current consumption	max. 30 mA (without load)
Input capacitive load	450 nF
Output saturation voltage (U_{SP}) - Light beam interrupted	< 1.5 V ($I_L = 100$ mA)
Output	NPN short circuit proof
Capacitive load	max. 1000 μ F
Response time	max. 1ms
Max. output current	200 mA



GLS 126 NT / NC-HCL housing

Block circuit diagram



Description	Light beam	Output	LED
GLS 126 NT/NC-HCL	not interrupted	+ 24 V (U_{SP})	on
	interrupted	0 V	off

We
CEDES AG, CH-7302 Landquart / Switzerland
 declare conformity in sole responsibility that the optoelectronic sensors
GLS 126 NT / NC-HCL
 according to the following Council Directives



EU EMC 89 / 336 / EWG
 modified 92 / 31 / EWG

Standards and Specifications

EN 12015, 12016 Electromagnetic compatibility - product family standard for elevators, escalators
 and passenger conveyors - emission / immunity

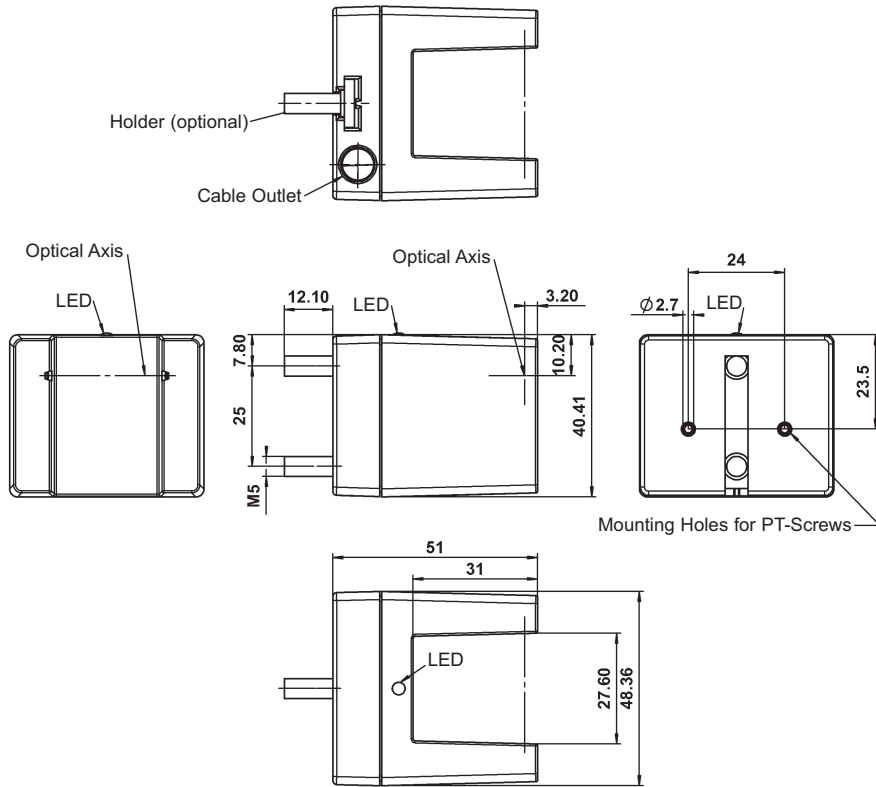
Test report CEDES, EMV_GLS126NT_HCL_040512.doc

Use:

The bringing into service is only permitted after thorough checks are carried out to ensure that the machinery or plant into which these products are built, meets the requirements of the regulations and directives relevant to that machinery or plant.

Landquart, 2004-11-24
 Beat De Coi
 Quality Assurance

Drawings



We
CEDES AG, CH-7302 Landquart / Switzerland
 declare conformity in sole responsibility that the optoelectronic sensors
GLS 126 NT
 according to the following Council Directives



EU EMC 89 / 336 / EWG
 modified 92 / 31 / EWG

Standards and Specifications

EN 12015 EME-product family standard for lifts, escalators, passenger conveyors
 EN 12016 EMI-product family standard for lifts, escalators, passenger conveyors

Test report CEDES, EMV_GLS126NT_030729.DOC

Use:

The bringing into service is only permitted after thorough checks are carried out to ensure that the machinery or plant into which these products are built, meets the requirements of the regulations and directives relevant to that machinery or plant.

Landquart, 2004-11-09
 Beat De Coi
 Quality Assurance

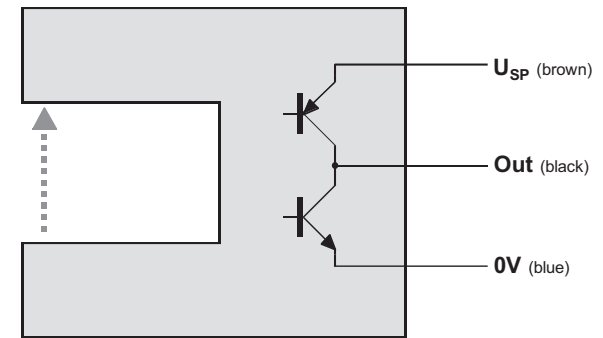
Technical Data GLS 126 NT

Supply voltage (U_{SP})	10 - 30 VDC
Max. ripple voltage (U_{SP})	$\pm 0.25 \times (U_{SP})$
Current consumption	max. 40 mA (without load)
Input capacitive load	450 nF
Output saturation voltage NPN	< 0,5 V ($I_L=100$ mA)
Output saturation voltage PNP	< 2,0 V ($I_L=100$ mA)
Output	NPN / PNP short circuit proof
Capacitive load	max. 100 nF
Rise / fall time	max. 1ms
Max. output current	200 mA



GLS 126 NT housing

Block circuit diagram



Description	Light beam	Output	LED
GLS 126 NT-NC	not interrupted	+ 24 V (U_{SP})	on
	interrupted	0 V	off
GLS 126 NT-NO	not interrupted	0 V	on
	interrupted	+ 24 V (U_{SP})	off