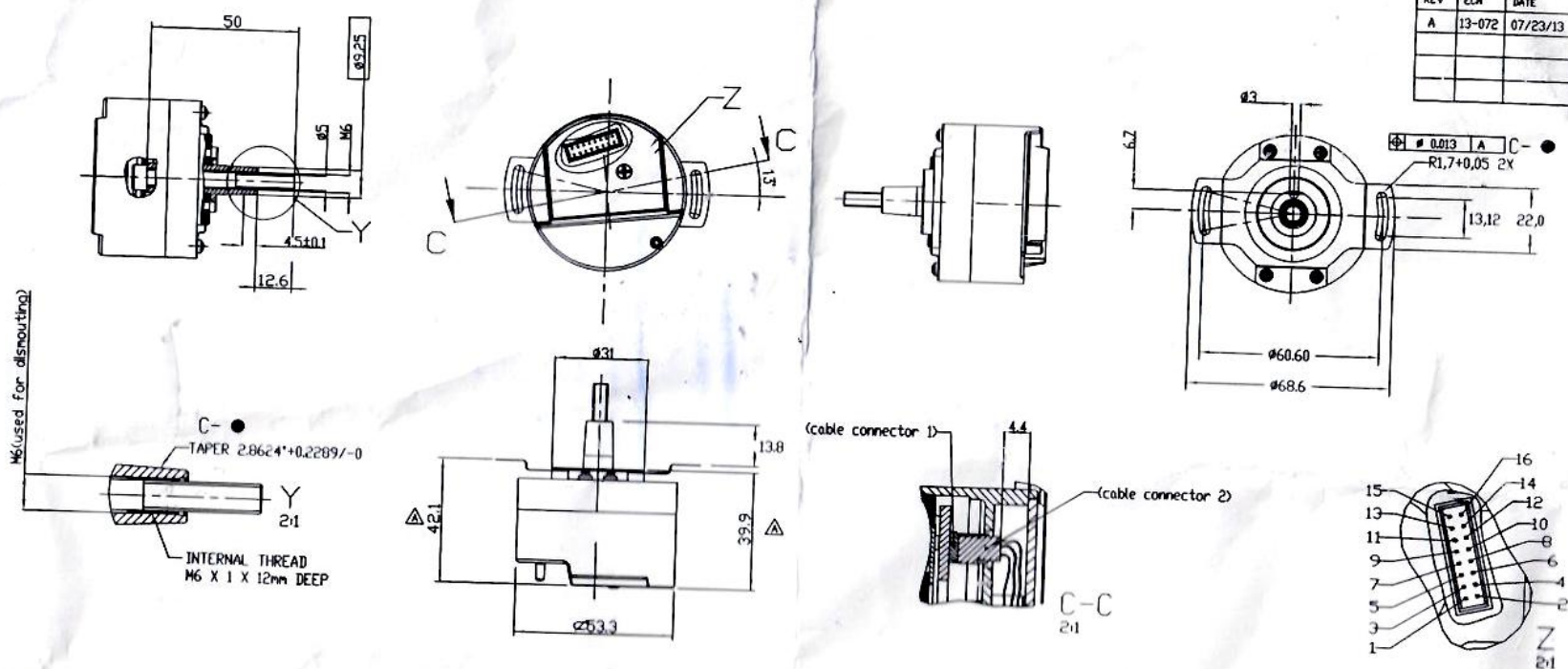


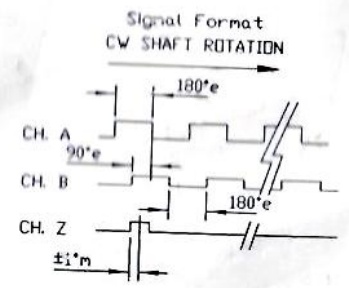
REV	EDN	DATE	APPROVED
A	13-072	07/23/13	YC



Electrical Data:
 Code: Incremental
 Resolution: 8192 PPR
 Accuracy: Incremental: ±2.5 arc-mins. max. edge to any edge
 Phasing for CW rotation of motor shaft (viewing from encoder side): A leads B by 90° and U leads V leads W by 120°
 Minimum edge separation: A to B is ±45°
 Index Pulse Width: 90° gated A and B high index to U channel: ±1° mechanical index pulse center to U channel edge
 Input Power Requirements: 5 ±10% VDC at 175mA max
 Output Signals: Line Driver sink/source 40mA max.
 Maximum Response Frequency: 100 kHz

Mechanical Data:
 Weight: 200g typ.
 Dimensions:
 Outside Diameter with cover: 53mm; Mounting depth: 40.4mm
 Material:
 Bearing housing: aluminum
 Cover: aluminum
 Shaft: stainless steel
 Shaft Diameter: 9.25mm nominal tapered 1:10
 Mating Shaft Runout: ±0.2mm max.
 (Includes shaft perpendicularity to mounting surface)
 Mating Shaft Axial movement: max. ±0.8mm
 Max. Velocity: RPM = (Frequency/PPR) x 60; or 1465 RPM, or 1465 RPM, whichever is less;

Environmental:
 Operating Temperature: -20°C to +120°C
 Storage Temperature: -40°C to +120°C
 Shock: 100 Gs for 6 msec duration
 Vibration: 2.5 Gs at 5 to 2000 Hz
 Relative Humidity: 95% non-condensing
 Enclosure Rating: IP 51
 (Cable needs to be oriented downwards)



Connector	
PIN	Signal
1	VCC
3	GND
5	A
7	A
9	B
11	B
13	Z
15	Z
16	CASE

C- ○ CRITICAL FEATURES

TOLERANCES UNLESS INDICATED	DIMENSIONS IN INCHES UNLESS SPECIFIED	TITLE
XXX * / * ANGLE	MAT / FINISH	DWG, OUTLINE & SPEC, RF53 DPT B7
2010 D.T.C. *C-size	FILE NAME: 702885-0001	SCALE: NONE
HENGSTLER	DRAWN: GEORGE TRELLY	DATE: 07-30-10
	CHECKED: YC	DATE: 07-30-10
	RELEASED: YC	DATE: 07-30-10
	COMPLIANCE REQUIRED	APPLICATION: RF53
	DWG. NO.	REV
	702885-0001	A