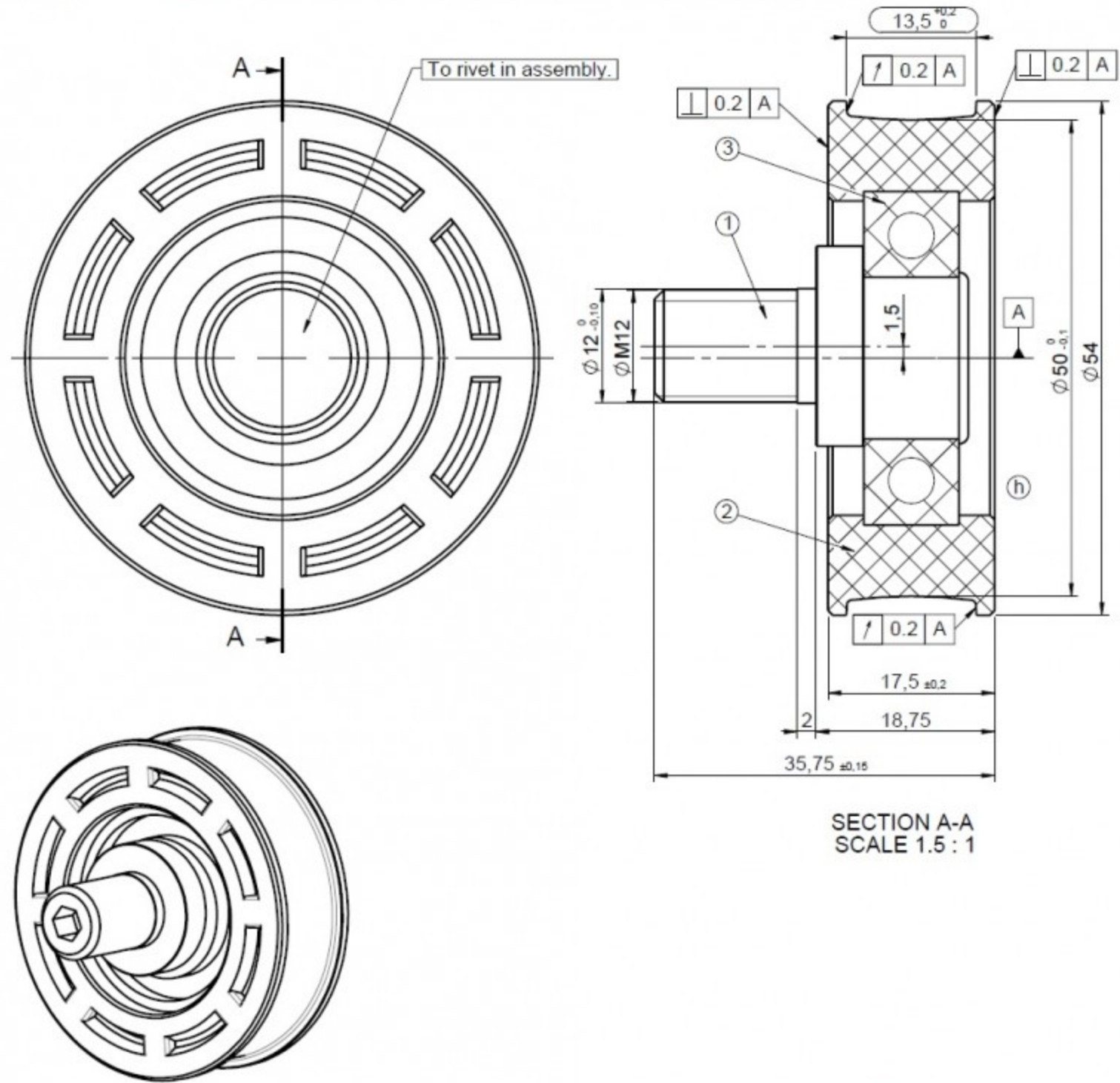


RUGOSITY TOLERANCES:			LINEAL TOLERANCES: ISO 2768 / FTS*								ANGULAR TOLERANCES: ISO 2768					MAIN DIMENSION:		FIRST ANGLE PROJECTION		
N12-N11	50-25	~	RANGE	0,5 ≤ 3	> 3 ≤ 6	> 6 ≤ 30	> 30 ≤ 120	> 120 ≤ 400	> 400 ≤ 1000	> 1000 ≤ 2000	> 2000 ≤ 4000	RANGE	≤ 10	> 10 ≤ 50	> 50 ≤ 120	> 120 ≤ 400	> 400	00	INFORMATIVE DIMENSION (00)	
N10-N9	12,5-6,3	▽	GENERAL	±0,1	±0,1	±0,2	±0,3	±0,5	±0,8	±1,2	±2	GENERAL	±1°	±0°30'	±0°20'	±0°10'	±0°5'			
N8-N7	3,2-1,6	▽▽	FORMING	±0,2	±0,3	±0,5	±0,8	±1*	±1*	±2*	±2	FORMING	±1°30'	±1°	±0°30'	±0°30'	±0°20'			
N6-N5	0,8-0,4	▽▽▽																		
N4-N1	0,2-0,025	▽▽▽▽																		



SECTION A-A
SCALE 1.5 : 1

Wheel. PFR-06. Type E Ø54mm. Axis lenght 17mm. Whith standard ball bearing. Material PA 6.6.

3	1	DIN 625-6003	BEARING		
2	1	010292	WHEEL CANAL PROFILE	Ø54 PFR-06	PA 6.6
1	1	010291	WHEEL ECCENTRIC AXLE Ø54	PFR-06	St EN10087 11SMn30 (F211) Calibrado/Calibrated Ø21h11
KEY	QTY	DRW/REF.	DENOMINATION	PARTICULARITY	MATERIAL